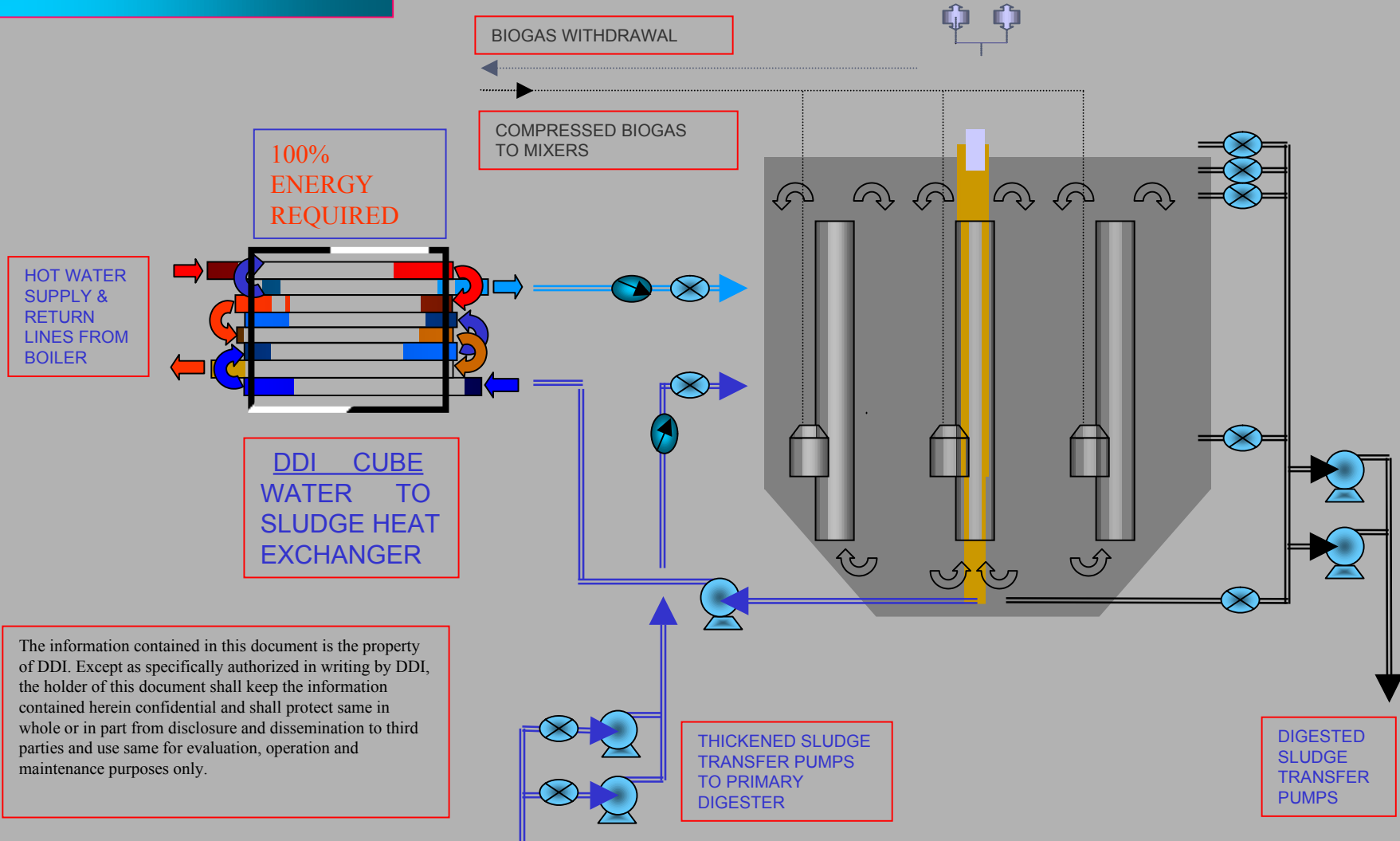


DDI HEAT EXCHANGERS

HIGH RATE ANAEROBIC DIGESTION HEATING OF DIGESTER SLUDGE SLUDGE AND HOT WATER SYSTEM CIRCUITS



The information contained in this document is the property of DDI. Except as specifically authorized in writing by DDI, the holder of this document shall keep the information contained herein confidential and shall protect same in whole or in part from disclosure and dissemination to third parties and use same for evaluation, operation and maintenance purposes only.